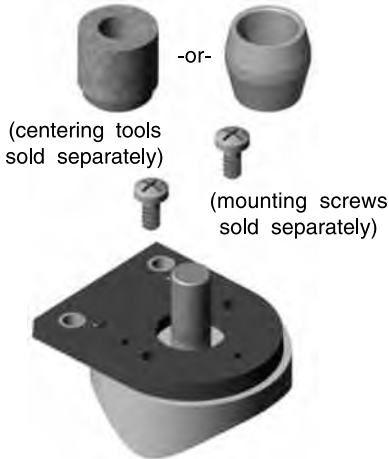


SIZE 12 SERIES E2 (Single-ended only)

Assembly Instructions:

1. Base Mounting

Secure base to mounting surface using two or three screws. If a centering tool is used, slip it over shaft and into center hole of base. Tighten mounting screws. Remove centering tool.



2. Spacer Installation

For shafts less than 3/8", snap spacer tool clip around shaft. (Fig. A)
For shafts equal to or larger than 3/8", place spacer tool next to shaft. (Fig. B)

Figure A



Figure B



3. Hub Disk Assembly Installation

Slip hub disk assembly over shaft with disk side down until it bottoms out against spacer tool. Tighten set screw with hex wrench provided while pressing down on hub.



4. Encoder Module Installation

Slip optical module into position until two alignment pins slip into holes of module. Thick side of module should be out.



5. Cover Installation

Place housing (cover) over assembly and secure with two 4-40 x 5/8" cover screws (supplied).



Cables/Colors

PIN #	Channel	Color
1	GRD	Brown or Black
2	Z	Violet or Green
3	A	Blue or White
4	5V	Orange or Red
5	B	Yellow or Brown

	5-Wires	Shielded Wire
Std. Angle	CA-435-1FT	CA-3934-6FT
Locking Flat	CA-1095-1FT	CA-3935-6FT